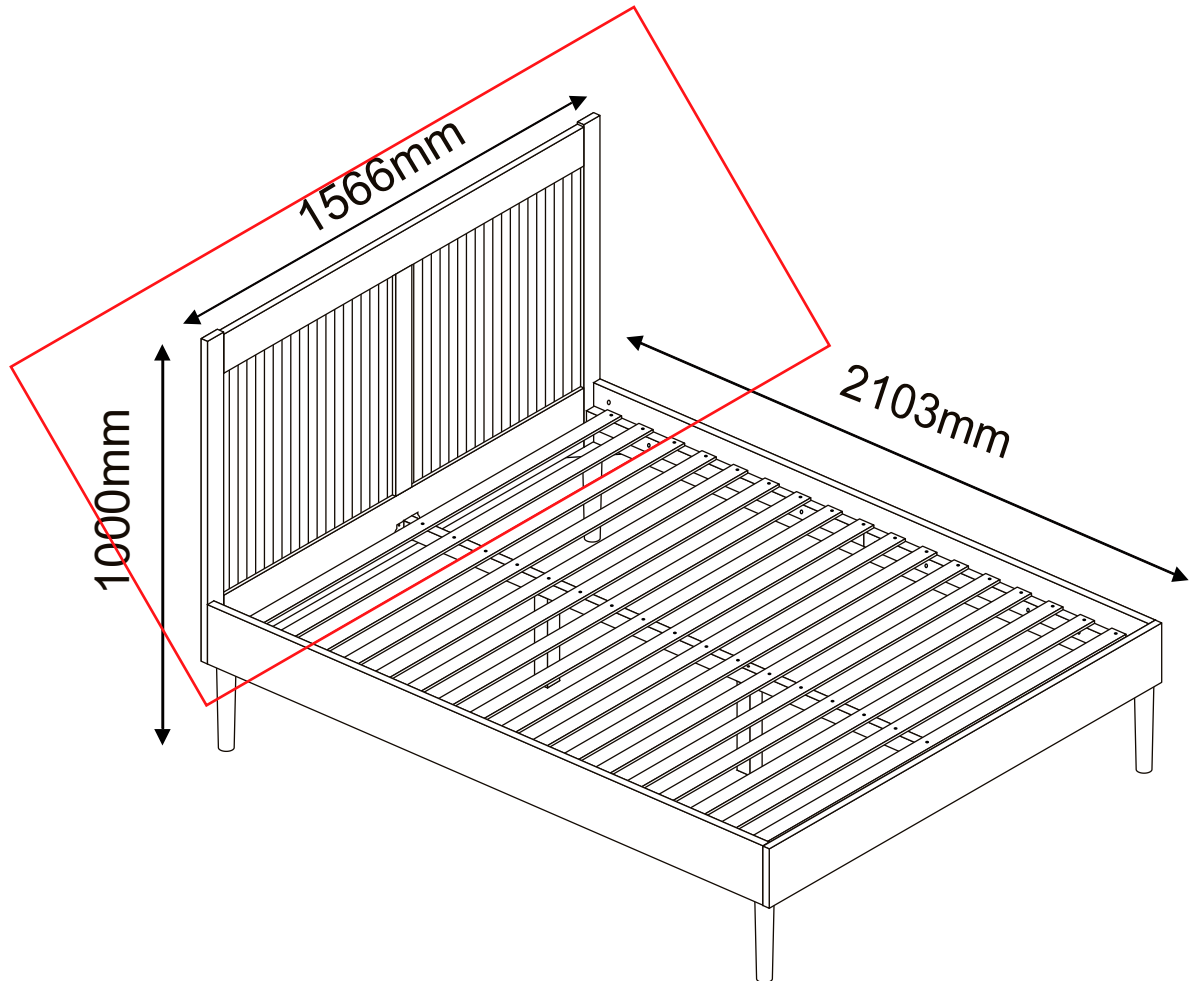


ASSEMBLY INSTRUCTION

MAHONEY QUEEN BED

Item Code 85405


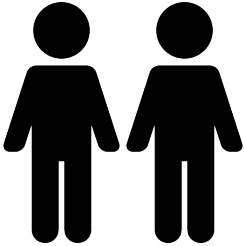



Imported by JWA Furniture Pty Ltd, Qld, Brisbane Australia.
For any assistance with assembly or for missing parts please refer to your receipt

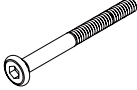

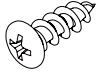
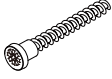

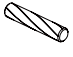
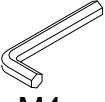



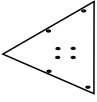


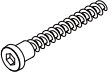

PRE-ASSEMBLY PREPARATION

Before you start:

1. Choose a clean, level, spacious assembly area. Avoid hard surfaces that may damage the product
2. Take care when lifting. Product should be assembled as near as possible to the point of use
3. Ensure that you have all required contents for complete assembly
4. Always read the assembly instructions carefully before beginning assembly
5. Keep all hardware parts and packaging out of reach of small children
6. Do not over tighten the screws and bolts as this may damage the threads
7. Assembly is to be carried out by a competent adult(s) ONLY
8. During assembly, children should be kept away from the product due to possible risk to injury
9. Do not use this item if any components are missing or damaged
10. Please keep the instructions for future reference.

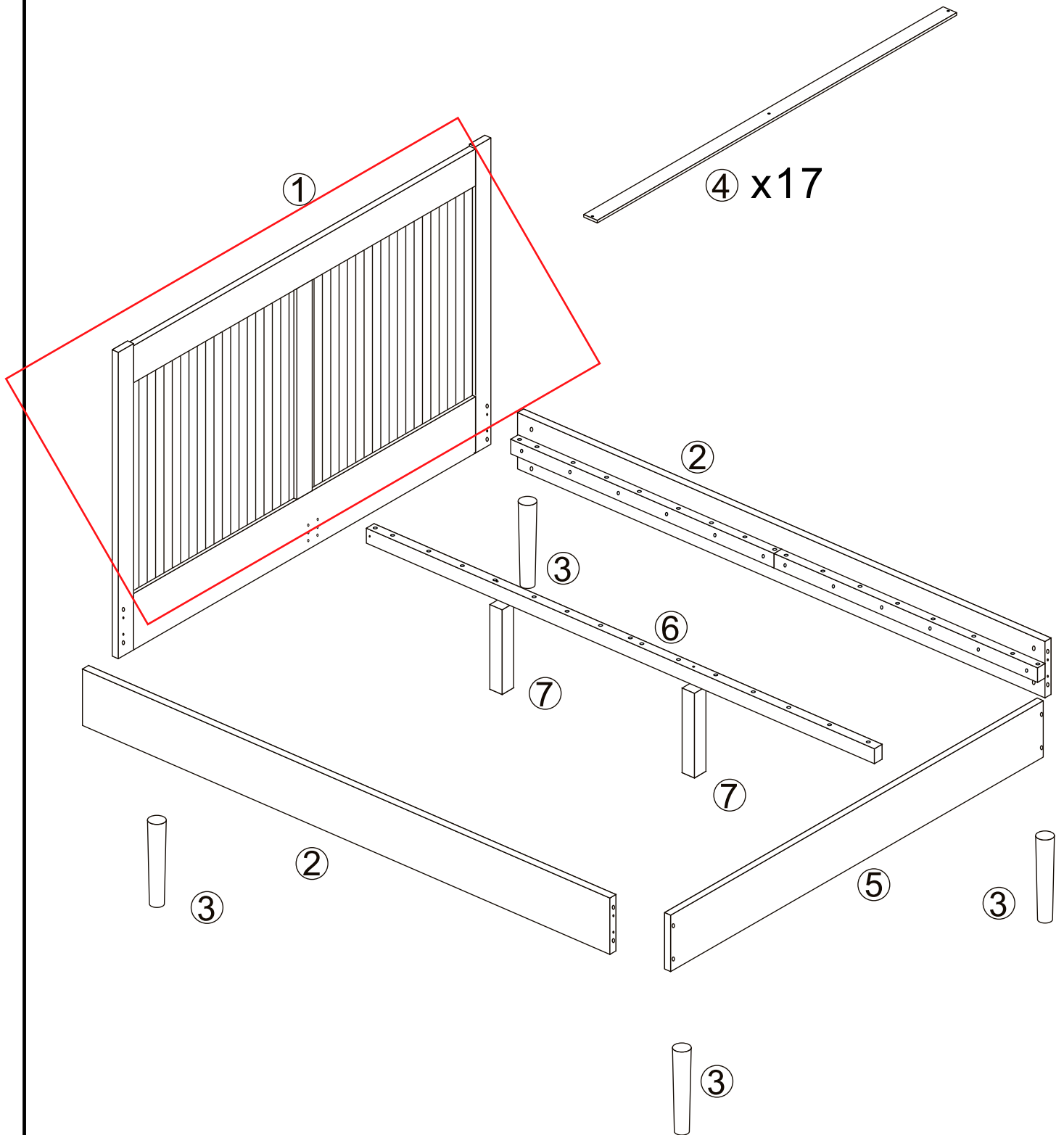
		
Allow 60 min	For 2 person	Additional tools required

PARTS LIST

<p>A Bolt x 4pcs</p>  <p>M6x80mm</p>	<p>B Bracket x 2pcs</p> 	<p>C Screw x 16pcs</p>  <p>ø4x16mm</p>	<p>D Screw x 32pcs</p>  <p>M5x40mm</p>
<p>E Screw x 42pcs</p>  <p>ø4x25mm</p>	<p>F Wooden Dowel x 8pcs</p>  <p>ø8x30mm</p>	<p>G Allen Key x 1pc</p>  <p>M4</p>	<p>H Nut x 8pcs</p>  <p>ø10x10mm</p>
<p>I Screw x 4pcs</p>  <p>M6x50mm</p>	<p>J Screw x 9pcs</p>  <p>M6x25mm</p>	<p>K Angle Iron x 4pcs</p> 	<p>L Hole Sticker x 8pcs</p> 
<p>M Adjustable footrest x 2pcs</p> 	<p>N Screw x 2pcs</p>  <p>M7x70mm</p>	<p>O Foot Pad x 4pcs</p> 	



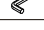



PARTS LIST

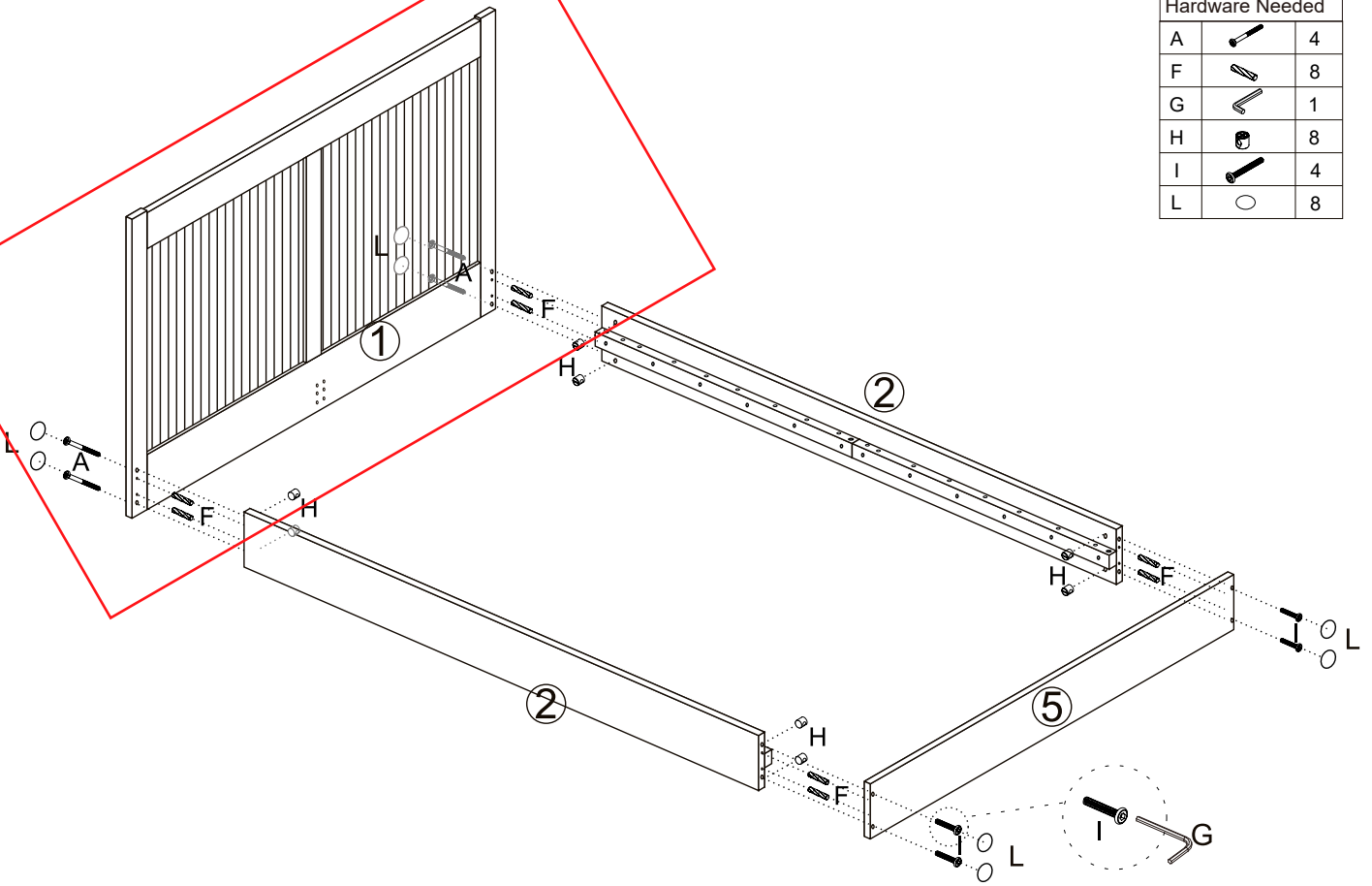
1	Headboard Frame x 1 pc	2	Side Rail x 2 pcs
3	Wooden Leg x 4 pcs	4	Slat x 17 pcs
5	Footboard Frame x 1 pc	6	Centre Rail x 1 pc
7	Support Leg x 2 pcs		



STEP 1:



- Prepare a protected surface with a blanket or cardboard.
- Assembly the headboard(1),footboard(5),siderail(2) by hardware A,F,G,H,I,L.

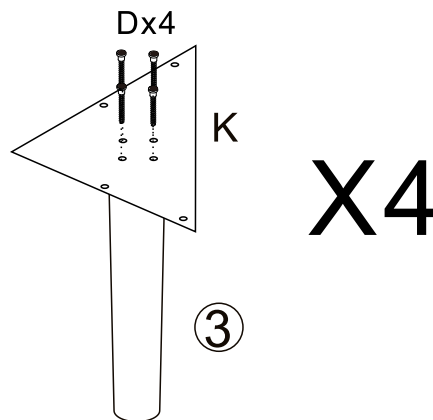
Hardware Needed		
A		4
F		8
G		1
H		8
I		4
L		8



STEP 2:

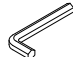

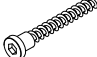
- Assembly the wooden leg(3) with angle iron K by screw D.

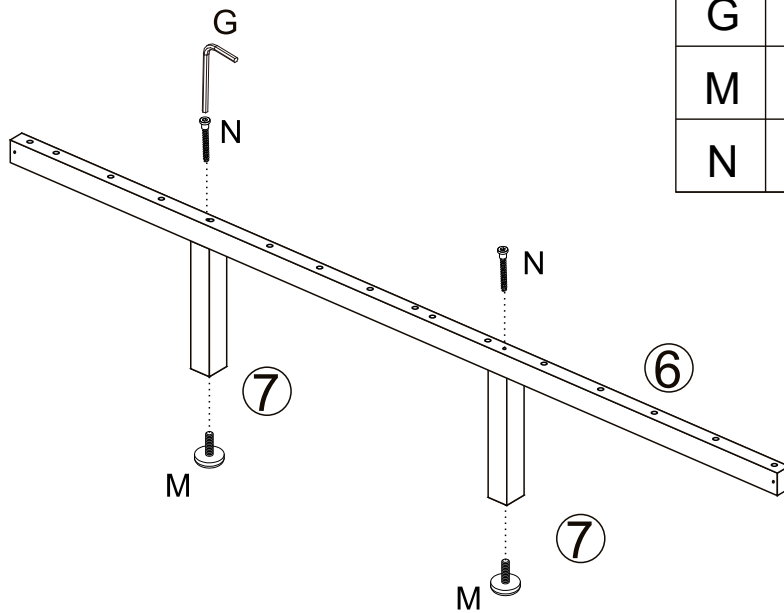
Hardware Needed		
D		16
K		4



STEP 3:



- Assembly the centre rail(6) with support leg(7) by hardware N,M,G.

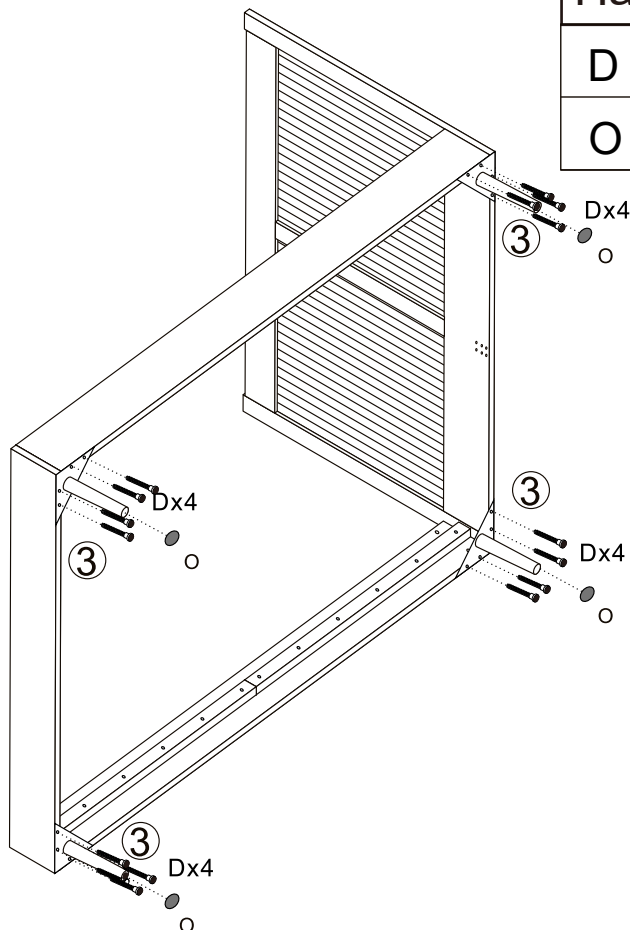
Hardware Needed		
G		1
M		2
N		2



STEP 4:

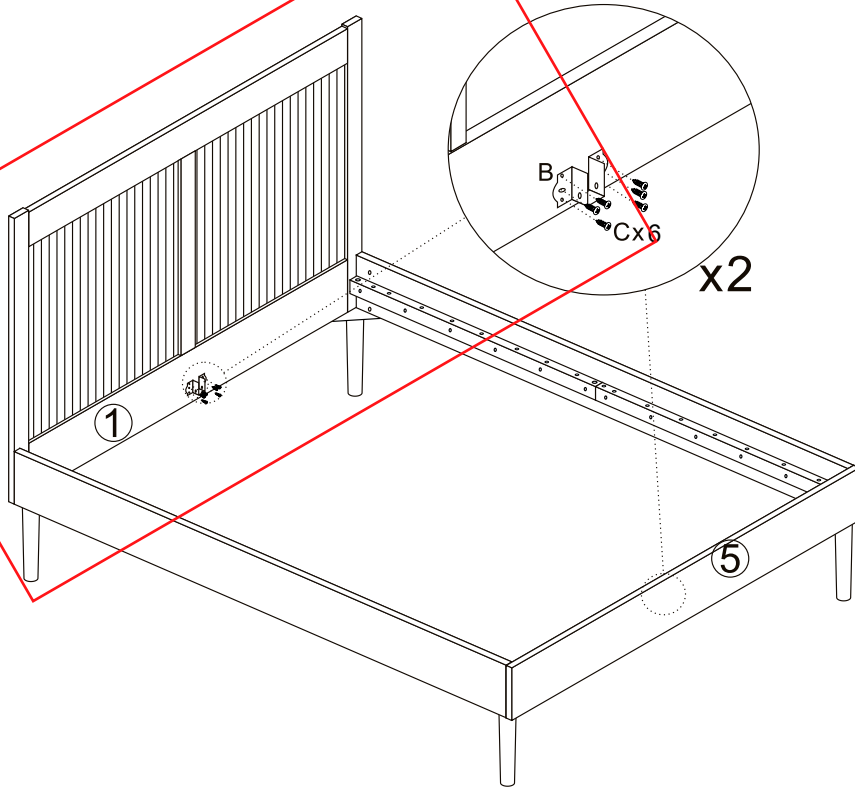
- Fix the wooden leg(3) with the bed frame by Hardware D,O.

Hardware Needed		
D		16
O		4



STEP 5:

- Attach hardware B by hardware C on headboard(1) and footboard(5).

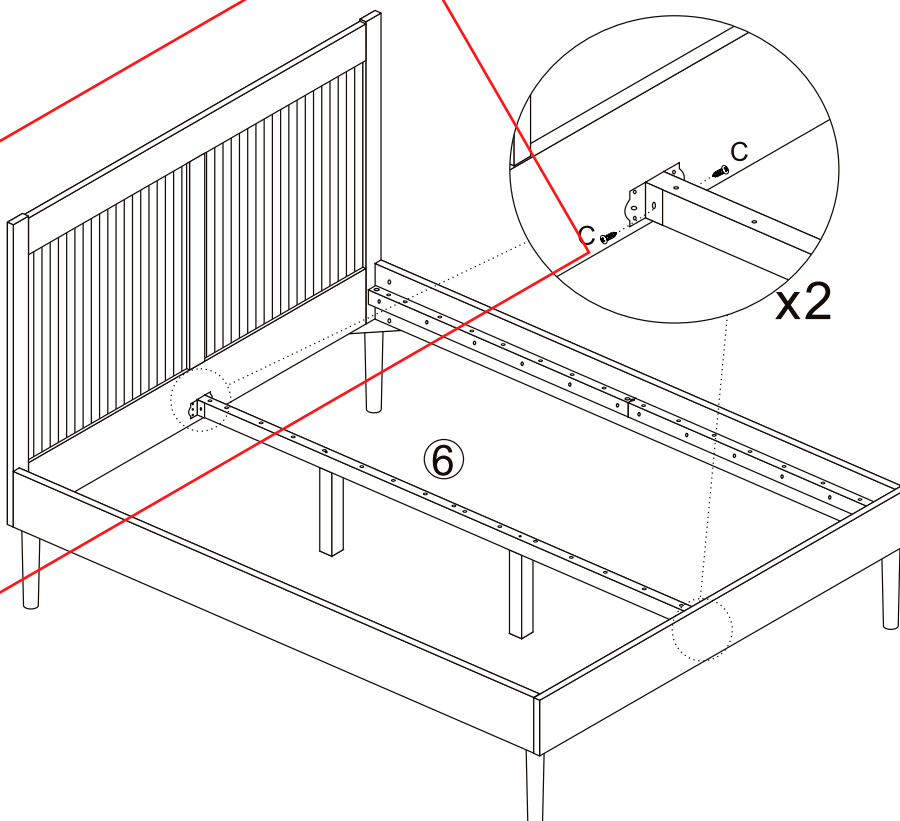


Hardware Needed

B		2
C		12

STEP 6:

- Attach centre rail(6) in to bracket B, and screw with hardware C.

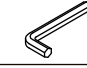




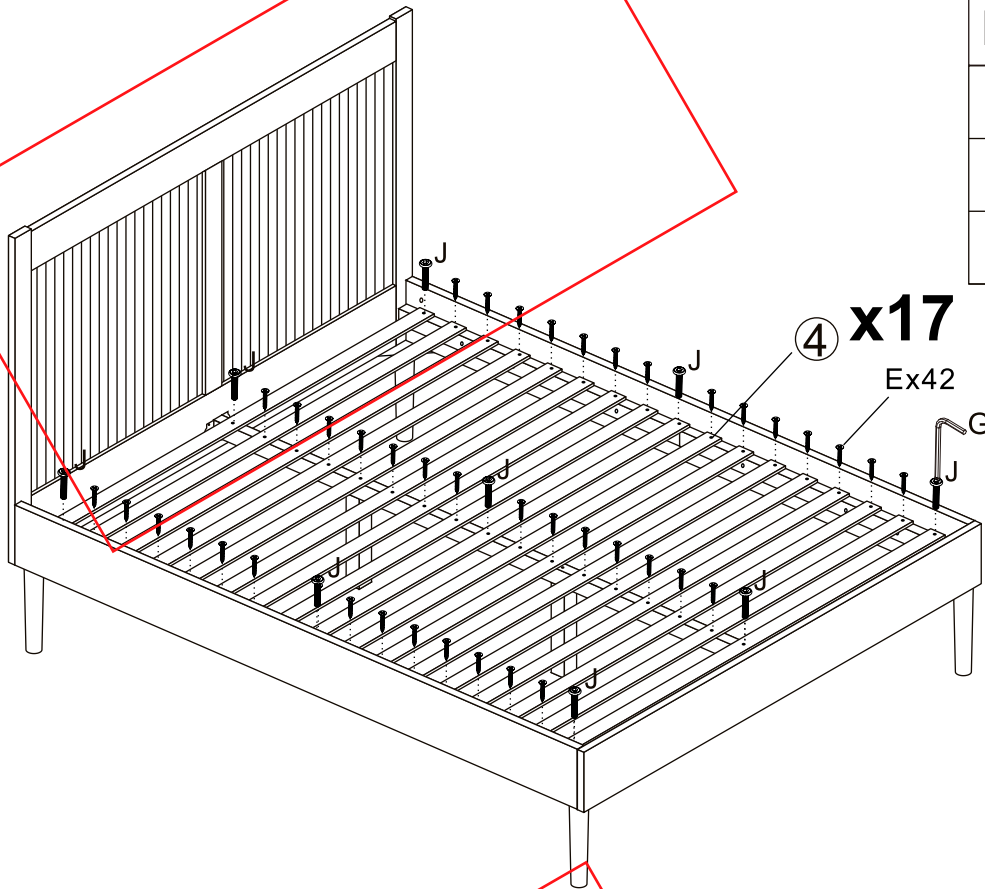
Hardware Needed

C		4
---	--	---

STEP 7:

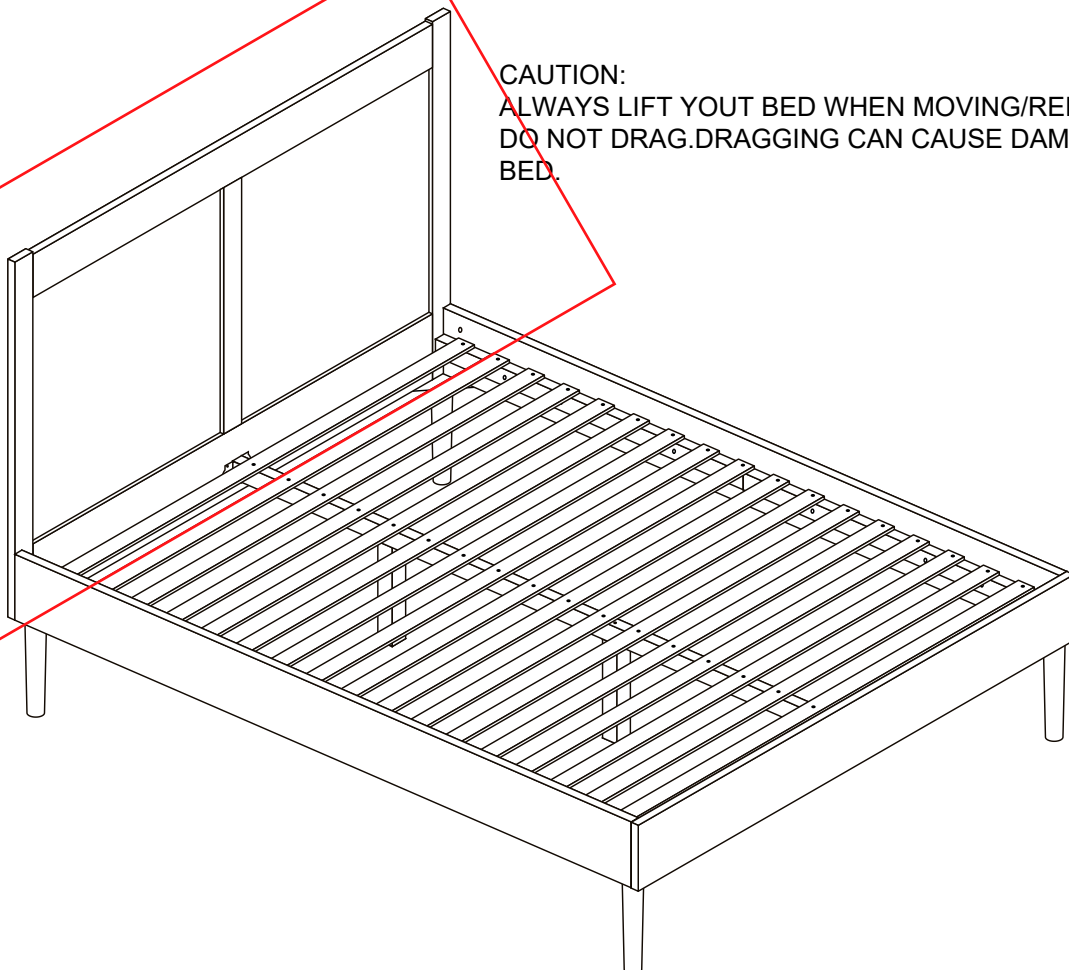
- Attach the bed slats(4) with bed frame by hardware E,J,G (the connect hole were pre-drilled)

Hardware Needed		
G		1
E		42
J		9



Finished

CAUTION:
ALWAYS LIFT YOUR BED WHEN MOVING/RELOCATING.
DO NOT DRAG. DRAGGING CAN CAUSE DAMAGE TO THE BED.



PRODUCT CARE:

To protect your furniture, we suggest the following:

- Avoid placing your furniture in direct sunlight.
- Do not place furniture directly under windows.
- Do not place sharp materials (knife, fork, etc.) directly onto your furniture as sharp material may scrape and damage the finish.
- Do not place material with high temperature directly onto the surface of your furniture.
- Clean up spills quickly. Water left over a prolonged period of time may cause damage. Alcohol, perfume, nail polishes, aftershave and some medication may cause severe finish damage if not cleaned immediately.
- Use a clean, soft, dry, lint free absorbent cloth to clean your furniture. Do not use any detergent as they may contain ingredients that may react and damage the finish.